

#1 steering



Item	Part No.	Description	QTY. per Vehicle
1	608.1	Steering: Front Fork Inverted "T"	1
2	600	Steering: 1 Topside: Upper nut(combo 607)	1
3	602.2	Steering: 2 Topside: threaded metal race covering	1
4	602.3	Steering: 3 Topside: plastic race covering	1
5	603	Steering: 4 Topside: bearings in race(combo 607)	1
6	604	Steering: 5 Topside: race to be seated(combo 607)	1
7	605	Steering: 6 Bottom side: race to be seated(combo 607)	1
8	606	Steering: 7 Bottom side: roller bearings(combo 607)	1
9	607.2	Steering: Special Steering Washer	1
10	607.3	Steering: Foam Washer to preventcorrosion	1
11	707	Wheel: Fender front	1
12	610.2	Steering: Front Fork Shock Strut Right	1
13	609.2	Steering: Front Fork Shock Strut Left	1
14	110	EL: Z: Bolt: M6 x 15(HF)	6
15	225	Brake: 970 mm flex with hoop & male connector(Front)	1
16	33	Brake: Z: Washer: for Brake Oil Bolt(M10)	2
17	169	Brake: Z: Bolt: Brake Oil Bolt(M10)	1
18	202	Brake: Front Assembly (includes 203 and 204)	1
19	142	Brake: Z: Bolt: M8 x 35(HF)	2
20	160	Steering: Z: Bolt: M10 x 30 for Front Shocks	4

#2 Front wheel assembly





Item	Part No.	Description	QTY. per Vehicle
1	700.3	Wheel: Rim for front	1
2	702	Wheel: 100/80 -- R14 for Right rear	1
3	717	Wheel: Tire valve for Left Rear	1
4	201	Brake: disc front and left	1
5	149	Brake: Z: Bolt: hold disc to rim M8	3
6	60	Wheel: Z: Spacer: 12 mm id x 20 mm od x 20 mm L ??	1
7	172	Wheel: Z: Bolt: M12 x 225 mm	1
8	715	Wheel: Speedometer Counter assembly to front Fork	1
9	714	Wheel: Speedometer Cable	1
10	52	Wheel: Z: Nut: M12	1

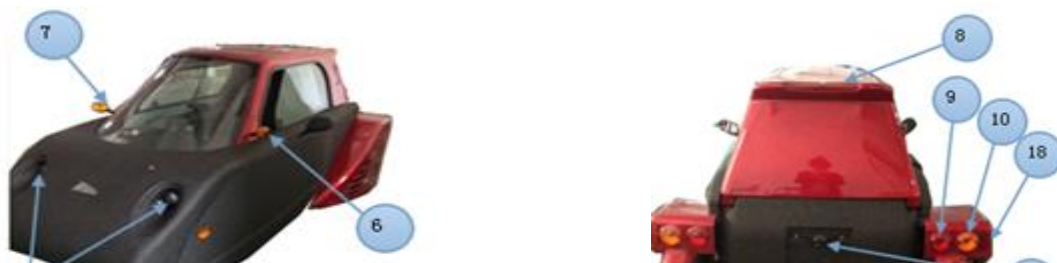
#3 Tiller assembly

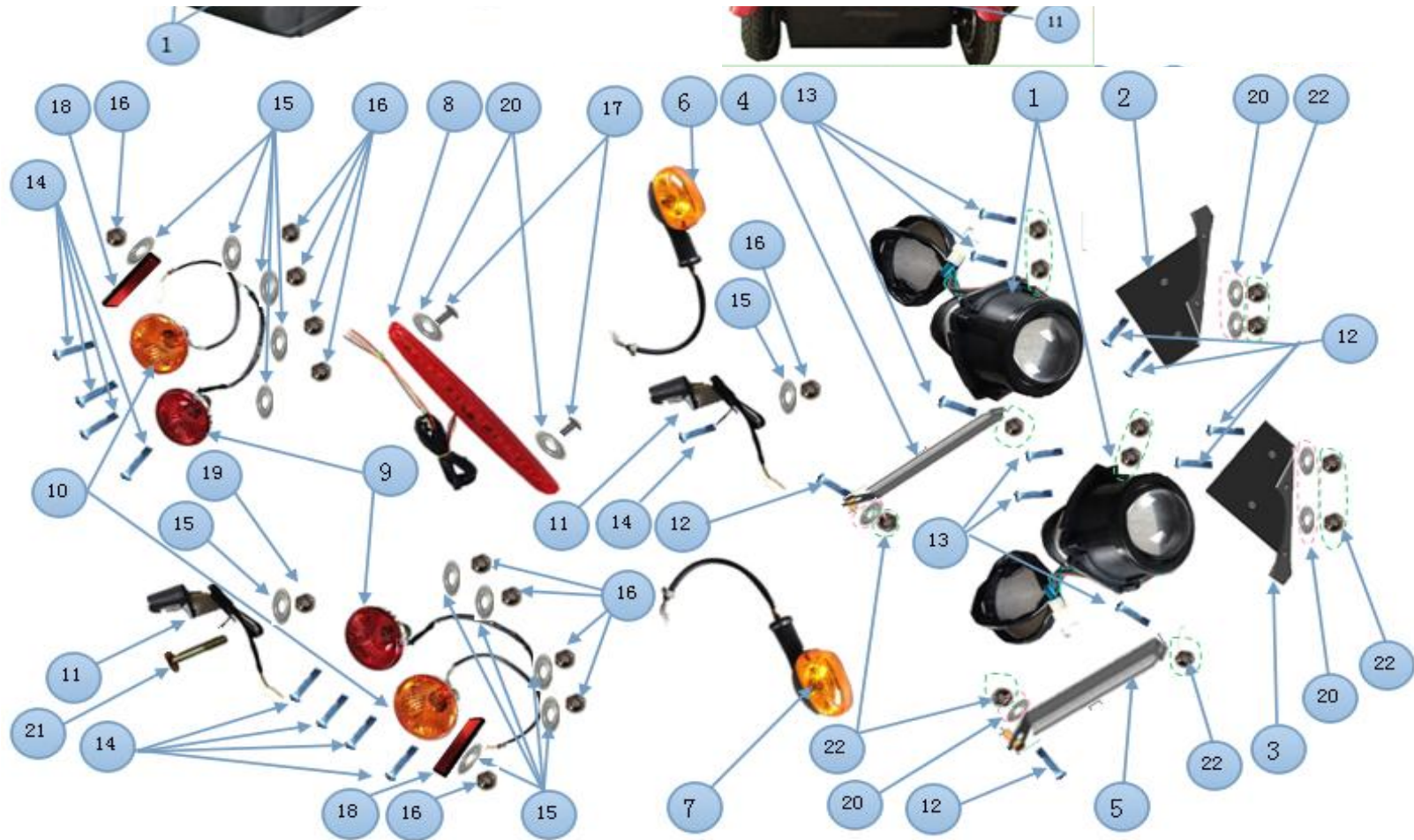




Item	Part No.	Description	QTY. per Vehicle
1	614	Steering: Tiller	1
2	613	Steering: Plate: Top Plate assembly	1
3	617	Steering: Plate: Bottom Plate Welded to Tube	1
4	164	Steering: Z: Bolt: M10 x 45 (HF)	1
5	35	Steering: Z: Washer: M10 Half Moon for tiller	1
6	48	Steering: Z: Nut: M8	4
7	50	Steering: Z: Nuts: M10	1
8	146	Steering: Z: Bolt: M8 x 70 (HF)	4
9	300	EL: Key with Ignition assembly	1
10	110	EL: Z: Bolt: M6 x 15(HF)	2
11	46	EL: Z: Nut: M6	2
12	318.1	EL: radio controller	1
13	36.3	EL: Z: Washer: Big for Radio	1
14	53	EL: Z: Nut: M12 Coarse	1
15	320	EL: Switch: assembly Left Hand on tiller	1
16	321	EL: Switch: assembly Right Hand on tiller	1
17	611	Steering: hand grips	2

#4 Lights



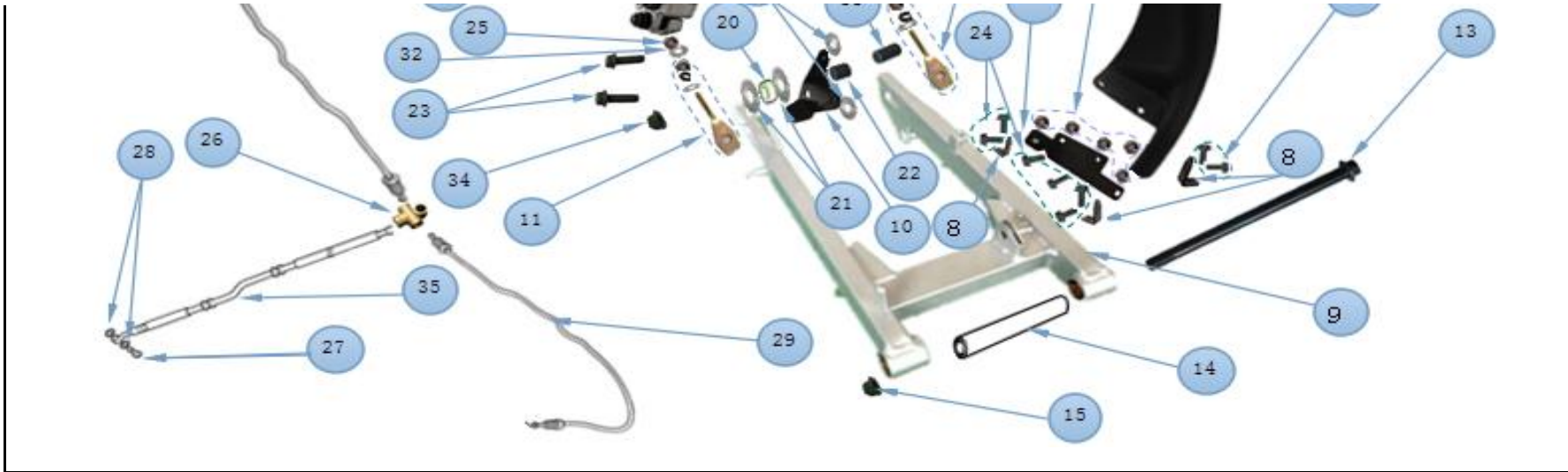


Item	Part No.	Description	QTY. per Vehicle
1	552	Lights: Headlights	2
2	548	Lights: Head light Bracket arm: Left	1
3	549	Lights: Head light Bracket arm: Right	1
4	550	Lights: Head light Bracket: Left	1
5	551	Lights: Head light Bracket: Right	1
6	561	Lights: Turn Signal Front Left	1
7	562	Lights: Turn Signal front Right	1

8	560	Lights: Trunk Brake Light	1
9	555	Lights: Rear Brake Lights(Red)	2
10	556	Lights: Rear Turn Lights(Amber)	2
11	553	Lights: interior light	2
12	101.5	Lights: Z: Bolt: M4 x 25 (P)	6
13	101	Lights: Z: Bolt: M4 x 20 (P)	6
14	107	Interior: Z: M5 x 30	9
15	25	Wheel: Z: Washer: M6 N	14
16	45	Lights: Z: Nut: M5	11
17	99	Top: Z: Bolt: M4 x 15 (CS)	2
18	557.1	Lights: Reflector: Red Rear	2
19	46	Lights: Z: Nut: M6	3
20	24	Washer: M4	8
21	125	Lights: Z: Bolt: M6 x 110 (BP)	1
22	44	Lights: Z: Nut: M4	12

#5 Rear wheel assembly (left)



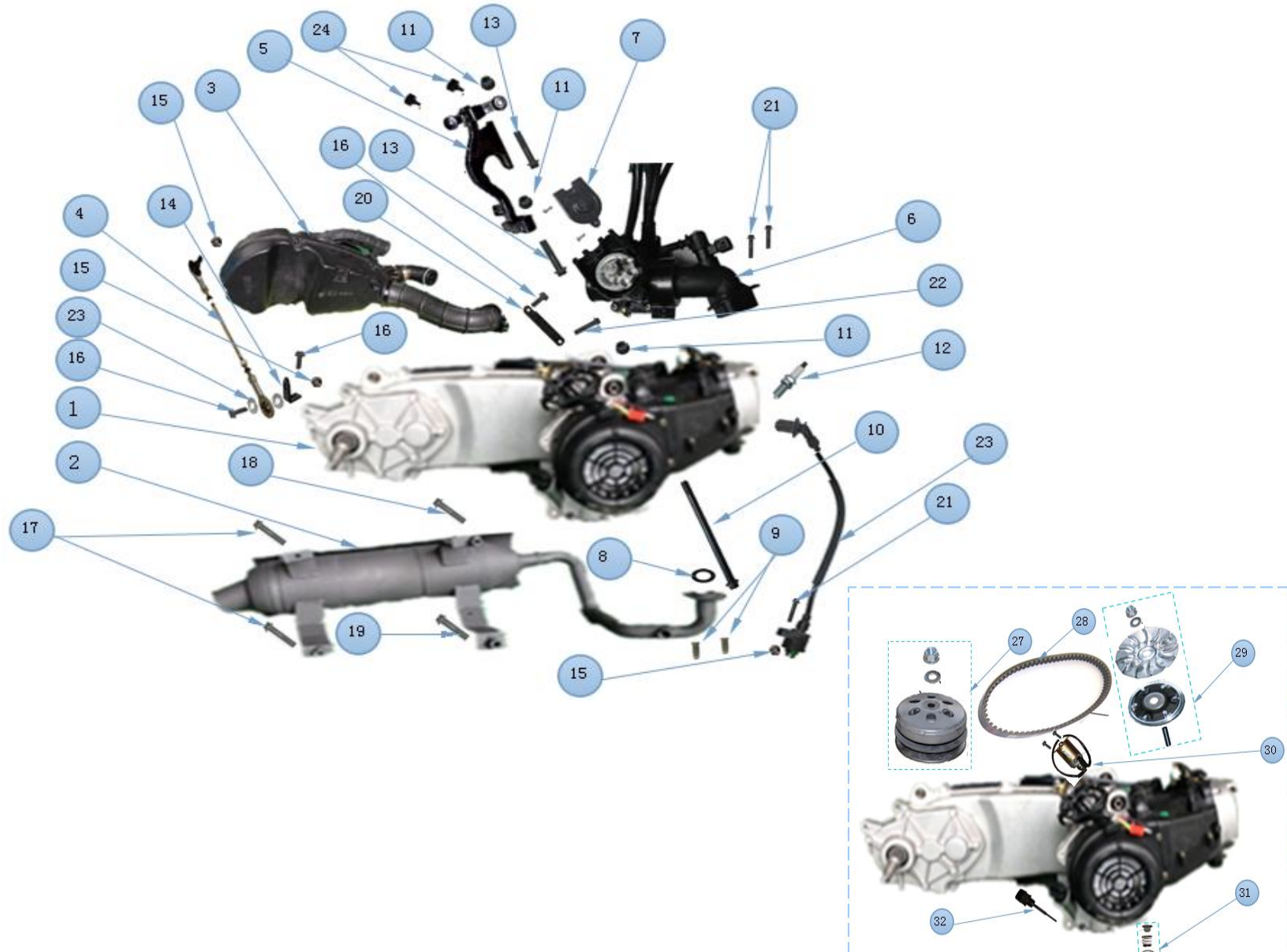


Item	Part No.	Description	QTY. per Vehicle
1	702.5	Wheel: 120/80 -- R14 for Right rear	1
2	717	Wheel: Tire valve for Left Rear	1
3	700.3	Wheel: Rim for front	1
4	201	Brake: disc front and left	1
5	149	Brake: Z: Bolt: hold disc to rim M8	3
6	712	Wheel: Shock for Left Rear	2
7	706	Wheel: Fender black Plastic Left	1
8	372	Engine: Turn buckle: "L" bracket for engine	3
9	716	Wheel: Swing arm	1
10	226.1	Brake: mounting bracket: left rear(20 mm) Electric	1
11	69	Wheel: Z: Tightener: 12 mm diam	2
12	199	Brake: Left Assembly	1
13	168	Wheel: Z: Bolt: M10 x 245 (HF)	1
14	57.5	Wheel: Z: Spacer: 10 id x 14 od x 152 mm	1
15	50	Steering: Z: Nuts: M10	5
16	58	Wheel: Z: Spacer: 12 mm id x 20 mm od x 25 mm L	2
17	31	Z: Washer: M12 (24 mm OD)	2
18	31.3	Z: Washer: M12 (30 mm OD)	4
19	166	Wheel: Z: Bolt: M10 x 70 (HF)	2
20	59	Wheel: Z: Spacer: left inside (12 id x 20 od x 5 mm)	1
21	29	Interior: Z: Washer: M10 XL (40 mm OD)	2
22	61	Wheel: Z: Spacer: left middle (12 id x 20 od x 34 mm)	1
23	149	Brake: Z: Bolt: hold disc to rim M8	2



Item	Part No.	Description	QTY. per Vehicle
1	702.5	Wheel: 120/80 -- R14 for Right rear	1
2	700.4	Wheel: Rim for right Rear to engine	1
3	717	Wheel: Tire valve for Left Rear	1
4	200	Brake: disc for engine	1
5	149	Brake: Z: Bolt: hold disc to rim M8	4
6	713	Wheel: Shock for Right Rear Wangye	2
7	706	REAR INNER FENDER	1
8	372	Engine: Turn buckle: "L" bracket for engine	1
9	704	Wheel: Bracket for Right Rear Black fender (gas)	1
10	110	EL: Z: Bolt: M6 x 15(HF)	5
11	46	EL: Z: Nut: M6	5
12	199	Brake: Left Assembly	1
13	208	brake: Emergency Hand Brake Lever: Cable	1
14	142	Brake: Z: Bolt: M8 x 35(HF)	4
15	50	Steering: Z: Nuts: M10	2
16	58	Wheel: Z: Spacer: 12 mm id x 20 mm od x 25 mm L	2
17	31	Z: Washer: M12 (24 mm OD)	2
18	31.3	Z: Washer: M12 (30 mm OD)	4
19	165.1	Wheel: Z: Bolt: M10 x 60 (HF)	4
20	703	Wheel: engine to shock support Big Plate	1
21	64	Wheel: Z: Spacer/Bushing:(spline) closest chassis	1
22	63	Wheel: Z: Spacer/Bushing:(spline) furthest chassis	1
23	56	Wheel: Z: Nut: M16	1
24	36	Wheel: Z: Spring Washer: M10	2
25	70	EL: Z: Screw: 5.0x16 TAPPING	1
26	35.3	Wheel: Z: Spring Washer: M8	2

#7 Engine assembly



Item	Part No.	Description	QTY. per Vehicle
1	356.1	Engine: 150 Grace WITHOUT Carburetor	1
2	352.1	Engine: Muffler Assembly USA/EPA (one cat)	1
3	363	Engine: Air filter Assembly	1
4	369	Engine: Turn buckle Shaft with two nuts(assmbly)	1
5	361	Engine: Cradle/Hanger	1
6	346	Engine: EFI System	1
7	346.5	Engine: EFI accelator cover	1
8	375	Engine: Muffler Metal "O" Ring	1
9	376	Engine: Muffler Special Nuts	2
10	167	Engine: Z: Bolt: M10 x 215	1
11	50	Engine: Z:Nut: M10	3
12	295	EL: Spark Plug	4
13	165.1	Wheel: Z: Bolt: M10 x 60 (HF)	2
14	372	Engine: Turn buckle: "L" bracket for engine	1
15	48	Engine: Z: Nut: M8 for turn buckle	1
16	143.4	Brake: Z: Bolt: M8 x 50 (HF)	1
17	120.1	Engine: Z : Bolt: M6 x 65 (HF) (small head 10.7 mm dia)	1
18	118	Engine: Z : Bolt: M6 x 40 (HF) (small head 10.7 mm dia)	1
19	164	Engine: Z: Bolt: M10 x 45 (HF)	1
20	354	Engine: Bracket from air filter to engine	1
21	114	Engine: Z : Bolt: M6 x 30 (HF)	3
22	118	Engine: Z : Bolt: M6 x 40 (HF) (small head 10.7 mm dia)	1
23	27	Door: Z: Washer: M8 (25 od)	2
24	362	Engine: Hanger Rubber supports to engine mount	2
25	311	EL: Ignition Coil Assembly	1
26	139	Engine: Z : Bolt: M8 x 25 (HF)	1
27	358	Engine: Engine Clutch	1
28	358.3	Engine: Transmission Belt	1
29	358.6	Engine: Wheel Clutch	1
30	359	Engine: Starter	1
31	359.1	Engine: Oil Filter Screen Assembly	1
32	359.2	Engine: Oil Dipstick	1

3	461	Gas Tank: Hose ~ 16 mm OD and 600mm long	1
4	459	Gas Tank: Bracket/holder for Gas Cap	1
5	460	Gas Tank: Gas Cap with key	1
6	313.6	EL: Gas Tank Sensor "O" Ring	1
7	313.1	EL: Gas Tank Level Indicator Assembly(longer)	1
8	313.5	EL: Gas Tank Level Indicator Tightener	1
9	470	Gas Tank: Fuel Filter(Need transparent)	1
10	458	Gas Tank: Fuel/Vacuum Pump	1
11	458.1	Gas Tank: Electrical fuel pump for EFI	1
12	346.4	Engine: Nylon Fuel Pump Line	1
13	456	Gas tank: Fuel hose 150 mm(9.7 OD/ 4.9 IDmm Rewin)	1
14	456	Gas tank: Fuel hose 150 mm(9.7 OD/ 4.9 IDmm Rewin)	1
15	455.1	Gas tank: Fuel hose 200 mm(9.7 OD/ 4.9 IDmm Rewin)	1
16	456	Gas tank: Fuel hose 150 mm(9.7 OD/ 4.9 IDmm Rewin)	1
17	465	Gas Tank: Vacuum Hose 950mm(7.6 OD/ 4.0 IDmm Rewin)	1
18	449	Gas Tank: Clamps for 38 mm OD Filler Hose	2
19	451	Gas Tank: Clamps for 16 mm OD Filler Hose for vent	2
20	453	Gas Tank: Clamps for Fuel Lines(screw)	10
21	113	Gas Tank: Z: Bolt: M6 x 25 (BP)	4
22	46	Gas Tank: Z: Nut: M6	8
23	26	Gas Tank: Z: Washer: M6 (25 od)	6
24	125	Gas Tank: Z: Bolt: M6 x 105 (BP)	4
25	461.1	Gas Tank: Hose 16 mm OD and 180 mm long	1
26	465.1	Gas Tank: Vacuum Hose 500 mm(7.6 OD/ 4.0 ID mm Rewin)	1
27	465.2	Gas Tank: Vacuum Hose 300 mm(7.6 OD/ 4.0 ID mm Rewin)	1
28	465.3	Gas Tank: Vacuum Hose 250 mm(7.6 OD/ 4.0 ID mm Rewin)	1
29	465.4	Gas Tank: Vacuum Hose 350 mm(7.6 OD/ 4.0 ID mm Rewin)	1
30	465.5	Gas Tank: Vacuum Hose 450 mm(7.6 OD/ 4.0 ID mm Rewin)	1
31	445	Gas Tank: Tee for CARB: two 10 mm & one 4mm	1
32	445.1	Gas Tank: Plastic "Y" connector	1
33	447	Gas Tank: Emmission Rollover check valve	1
34	446	Gas Tank: Emission valve inlet	1
35	448	Gas Tank: Emission canister: 320 cc : Rewin	1
36	454	Gas Tank: Clamps(Spring) for Fuel line = 10.0 mm OD	10
37	458.2	Gas Tank: Bracket for EL fuel pump for EFI	1
38	116	Gas Tank: Z: Bolt: M6 x 35 (BP)	2

#9 Electrical parts

26

31

27

22

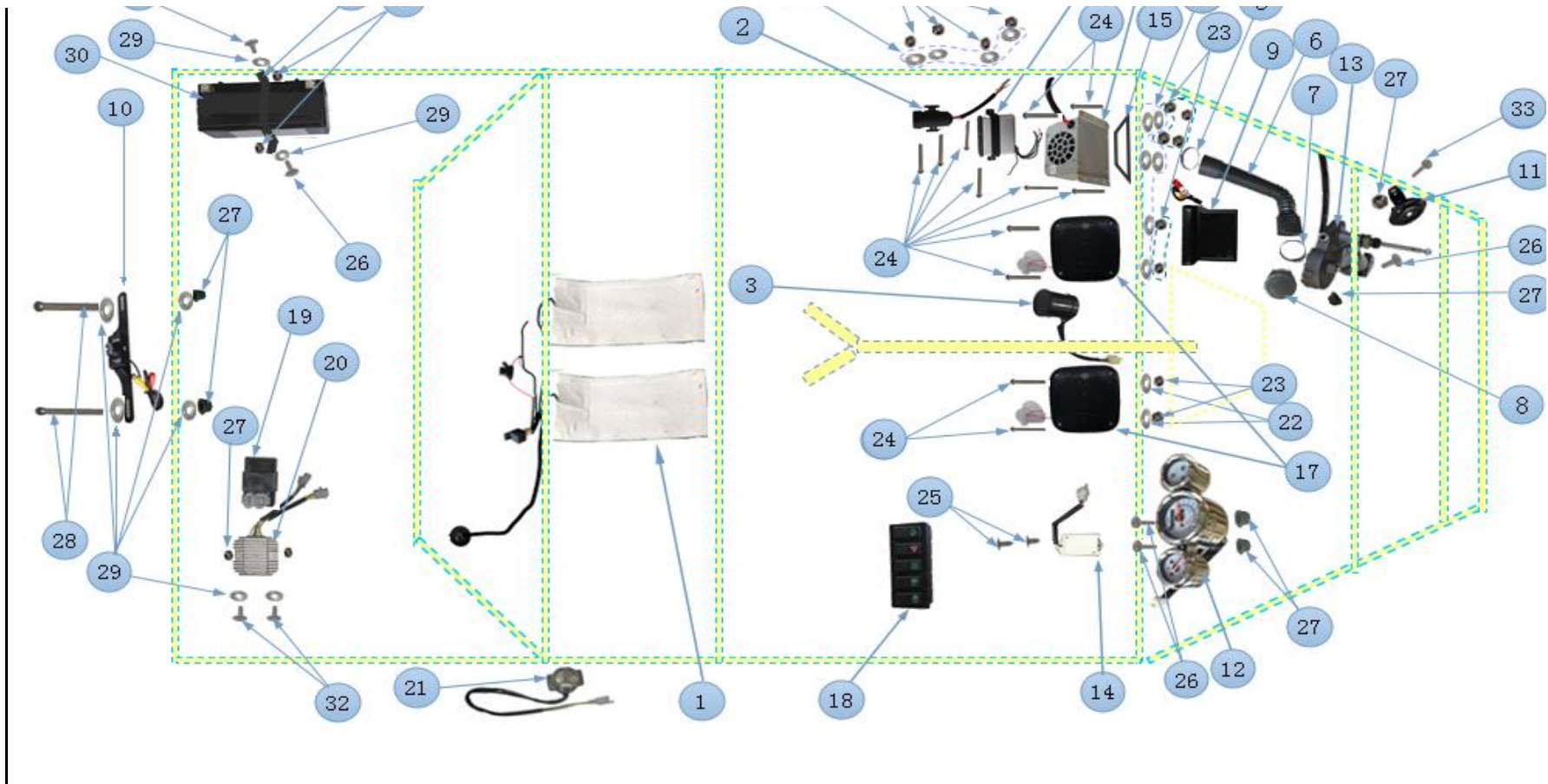
23

16

4

22

5



Item	Part No.	Description	QTY. per Vehicle
1	329.2	EL: Seat Heater pad	1
2	316	EL: cigaretter lighter	1
3	305.1	EL: FLASHER with Sound	1
4	319	EL: defroster/fan (12 Volts)	1
5	377	EL: Clamps for 50 mm OD Defroster Hose	1
6	501.2	Interior: Tube for defroster	1
7	449	Gas Tank: Clamps for 38 mm OD Filler Hose	1
8	501	Interior: Vent for defroster	1
9	293.21	EL: Rear Camera screen	1
10	293.2	EL: Rear Camera	1



Item	Part No.	Description	QTY. per Vehicle
1	216	Brake: Pedal Holder	1
2	217	Brake: Pedal Steel Plate in Front Wheel Well	1
3	314	EL: Brake: Switch on Peddle Assembly	1
4	215	Brake: Pedal	1
5	223	Brake: Pedal rubber cover	1
6	219	Brake: Master cylinder brake	1
7	114	Brake: Z: Bolt: M6 X 30	4
8	143	Brake: Z: Bolt: M8×40	2
9	110	EL: Z: Bolt: M6 x 15(HF)	2
10	46	Brake: Z: Nut : M6	7
11	48	Steering: Z: Nut: M8	4
12	40	Brake: Z: Nut : M6	5
13	148	Brake: Z: Bolt: M8×100	1
14	139	Brake: Z: Bolt: M8×25	1
15	33	Brake: Z: Bolt: M10×16	2
16	207	Brake: Emergency hand brake lever	1
17	208.1	Brake: Emergency hand brake lever adjuster nut	1
18	208	brake: Emergency Hand Brake Lever: Cable	1
19	372	Engine: Turn buckle: "L" bracket for engine	1
20	113	Brake: Z: Bolt: M6 X 25	3
21	26	EL: Z: Washer: M6 L	4
22	365	Engine: Accelerator: assembly	1
23	364.1	Engine: Accelerator: cable for EFI	1

24	298	EL: diode	1
25	299	EL: relay integrated with fuse (12V)	1
26	114	EL: Z : Bolt: M6 x 30 (HF)	1

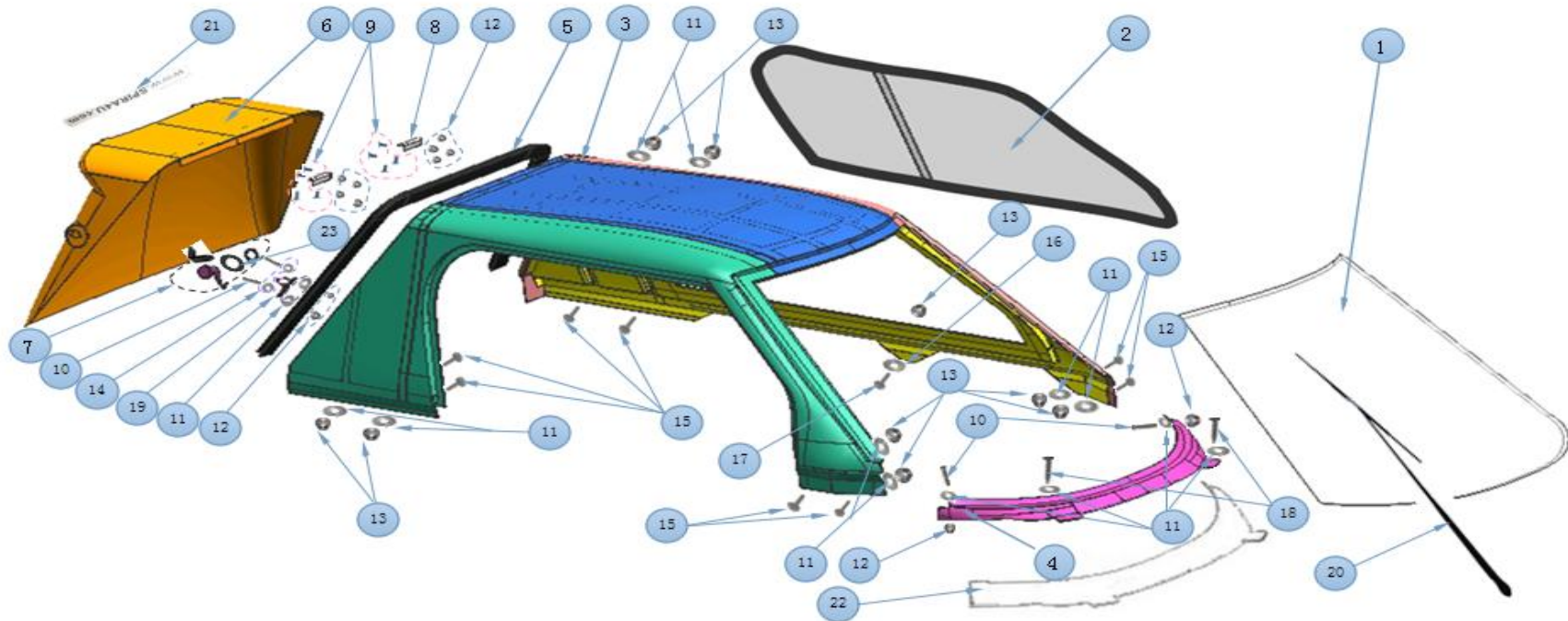
#11 Interior



Item	Part No.	Description	QTY. per Vehicle
1	504.1	Interior: Uphostery for seat and back	1
2	497	Interior: Foam for headrest	1
3	498	Interior: Foam for seat	1
4	504.3	Interior: Uphostery left side	1
5	504.2	Interior: Uphostery right side	1
6	510	Interior: Air Cushion	1
7	502	Interior: seat belt set	1
8	161	Interior: Z: Bolt: M10 x 35 (HF)	2
9	165.1	Wheel: Z: Bolt: M10 x 60 (HF)	1
10	29	Interior: Z: Washer: M10 XL (40 mm OD)	3

11	50	Interior: Z: Nut: M10	3
12	511	Interior: Carpet: Red 900 x 700 mm	1
13	26	Interior Z: Washer: M6 L	1
14	72	Interior Z: Screw 40 mm	1

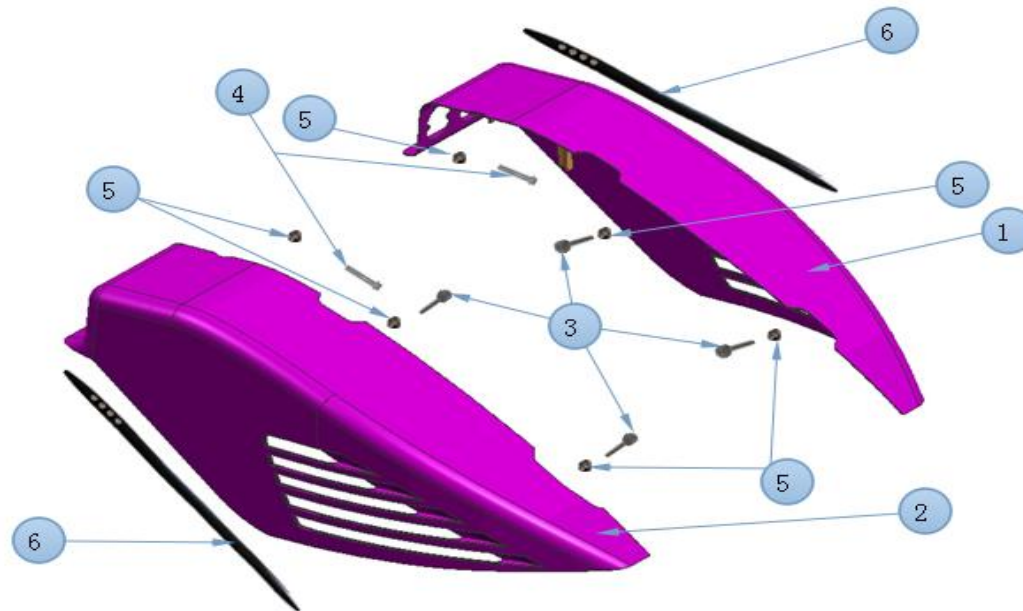
#12 Top



Item	Part No.	Description	QTY. per Vehicle
1	659.1	Top: Windshield Wider	1
2	657.1	Top: Sliding Window Asmbly Left with 1 tab	1
3	647	top: ABS(5 part welded together)August 2014	1
4	647.6	top: ABS(curve)August 2014	1
5	652	Top: Truck: Gasket	1
6	654	Top: Trunk: lid	1
7	655	Top: Trunk: Rear Latch Post	1

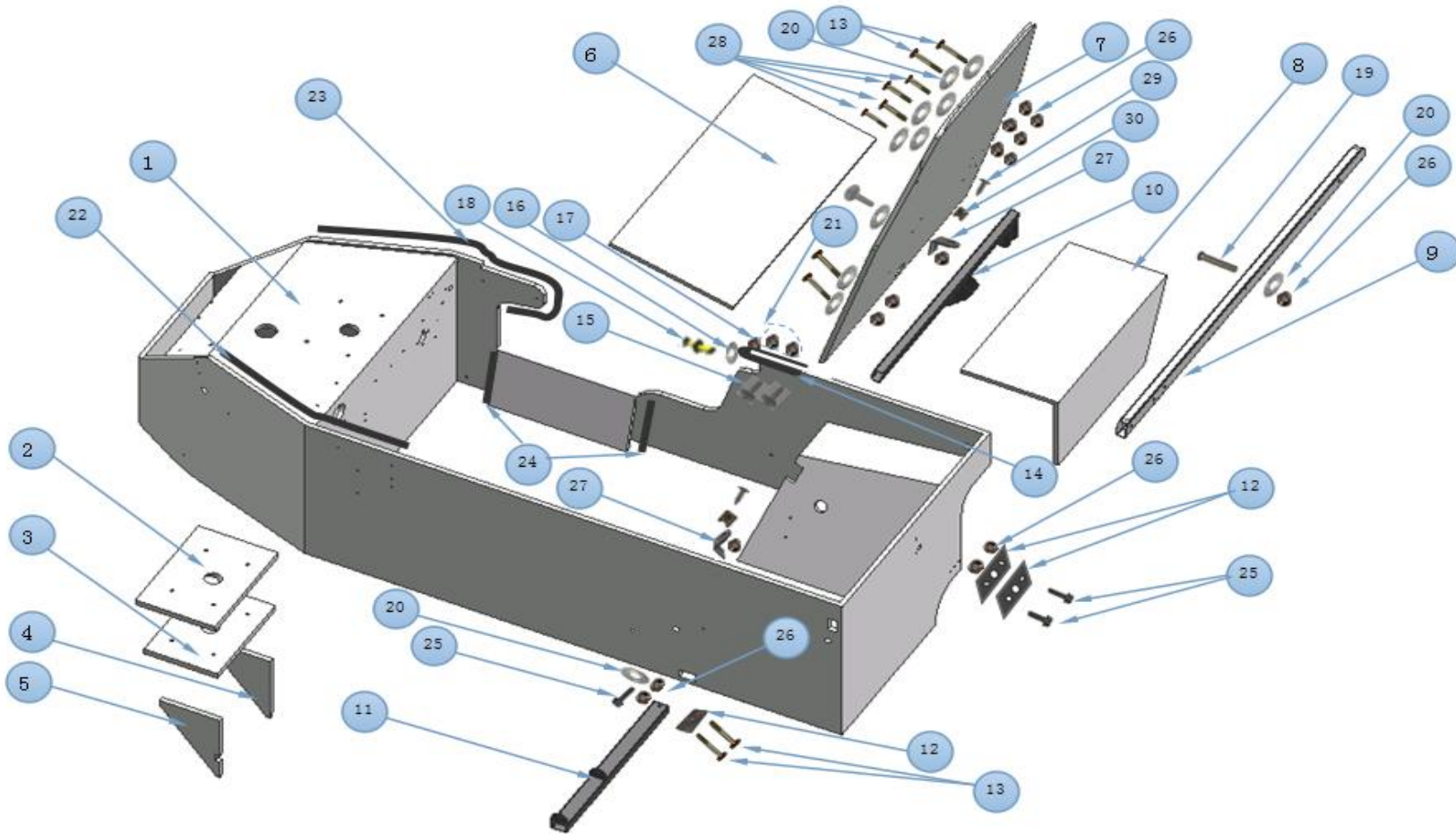
8	653	Top: Truck: hinges (60 mm by 20 mm)	2
9	99	Top: Z: Bolt: M4 x 15 (CS)	8
10	100	Lights: Z: Bolt: M4 x 25 (P)	4
11	25	Wheel: Z: Washer: M6 N	14
12	44	EL: Z: Nut: M4	12
13	46	EL: Z: Nut: M6	9
14	24	Lights: Z: Washer: M4 R	2
15	115	Top: Z: Bolt: M6 x 30 (BP)	4
16	26	Top: Z: Washer: M6 L	1
17	116	Top: Z: Bolt: M6 x 35 (BP)	5
18	72	Gas Tank: Z: Screw 40 mm	2
19	656	Top: Trunk: Rear Latch	1
20	324	EL: Windshield Wiper: Blade (18 inches or 460 mm)	1
21	661	Top: Spira Website Logo	1
22	648	top: foam strip underneath of windshield	1
23	656.5	Top: Trunk: Rear Latch rubber ring	1

#13 Fenders

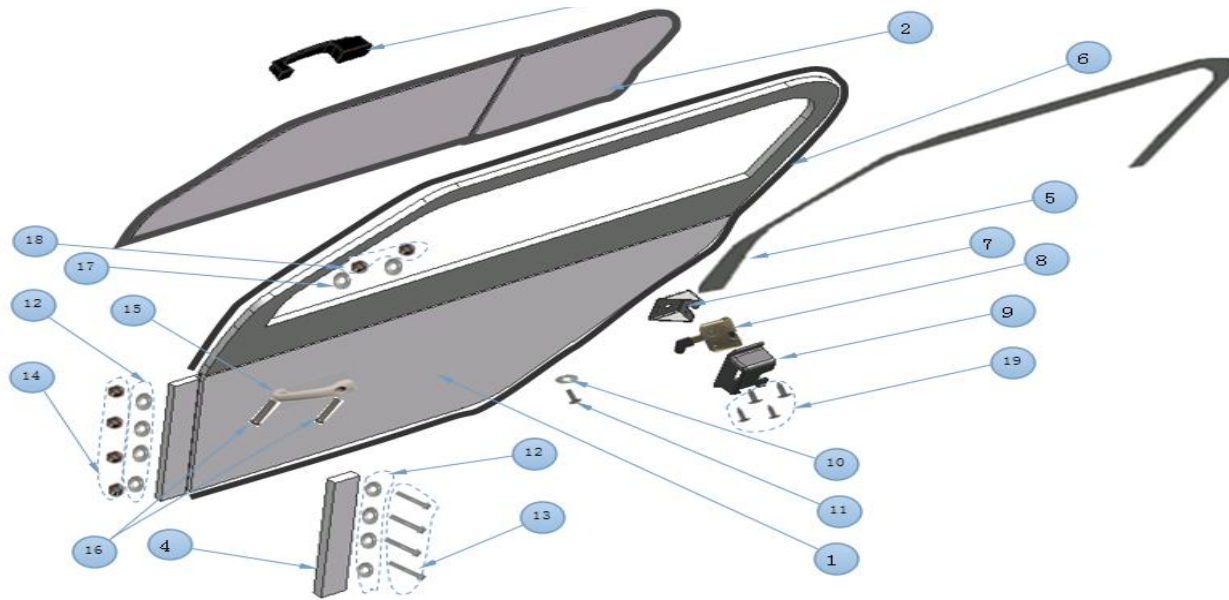


Item	Part No.	Description	QTY. per Vehicle
1	708.1	Wheel: Fender: Left ABS	1
2	709.1	Wheel: Fender: Right ABS	1
3	115	Top: Z: Bolt: M6 x 30 (BP)	4
4	117.1	Wheel: Z: Bolt: M6 x 45 (HF)	2
5	46	EL: Z: Nut: M6	6
6	709.5	Wheel: Fender: Plastic Stripes	2

#14 Body



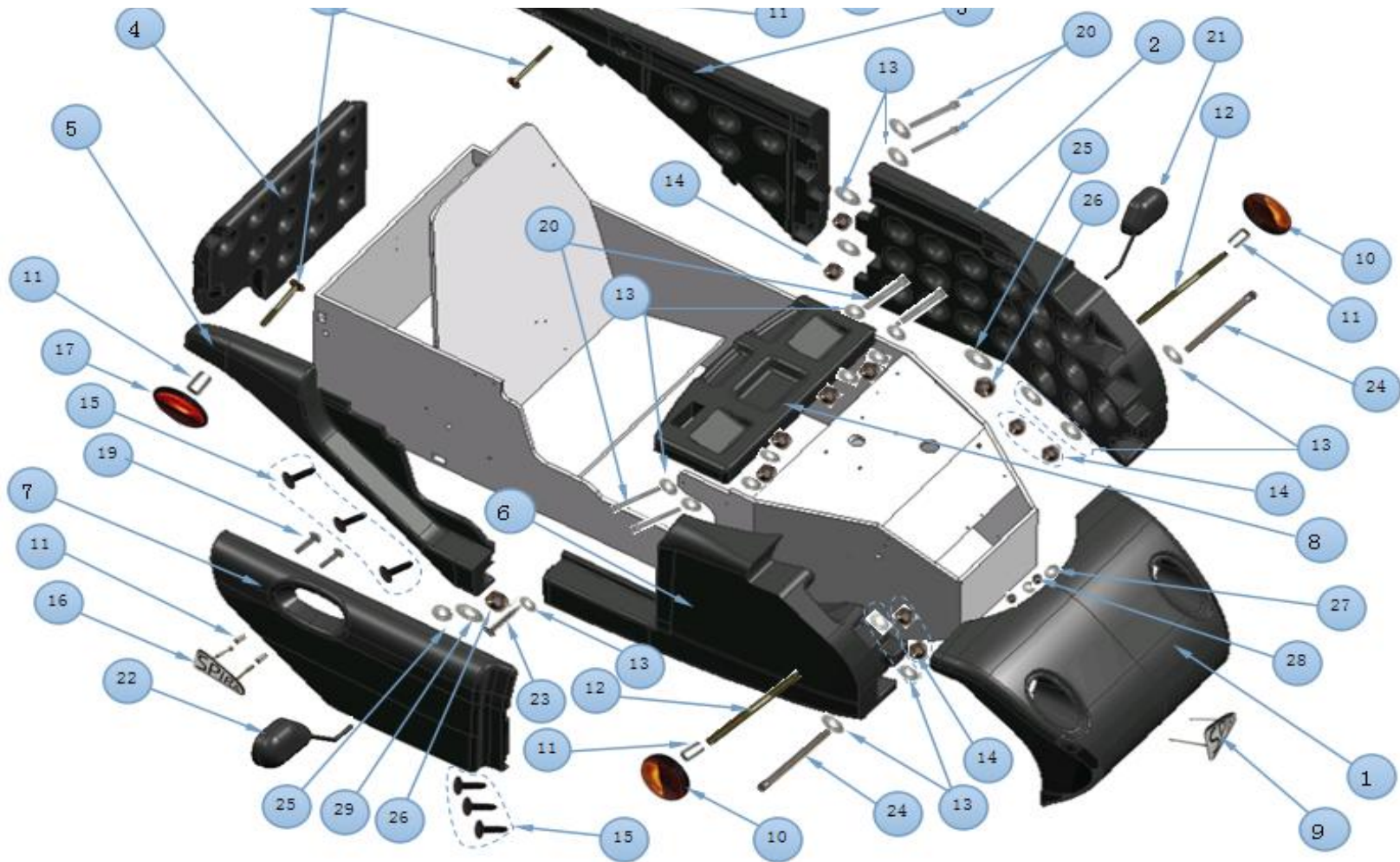
Item	Part No.	Description	QTY. per Vehicle
1	499	Interior: Gas: coreboard for vehicle body, door, back,gas tank cover	1
2	499.2	Interior: coreboard for streering base 1 340X230X20	1
3	499.3	Interior: coreboard for streering base 2 370X250X20	1
4	499.4	Interior: coreboard for steering Left	1
5	499.5	Interior: coreboard for steering Right	1
6	499.7	Interior: coreboard for seat	1
7	499.8	Interior: coreboard for backboard	1
8	499.6	Interior: coreboard for gas tank	1
9	718.1	25 x 50 Galvanize Tube 1430 mm(Electric)	1
10	367	Engine: Mount Big Mount assembly for hanger	1
11	721.1	Wheel: hanger for swing arm left wheel and ELECTRIC	1
12	373	Turn buckle: steel plate on Chassis	3
13	123	Wheel: Z: Bolt: M6 x 60 (BP)	6
14	267	Door: U shape metal fixture for Door	1
15	113	Door: Z : Bolt: M6 x 25 (BP)	3
16	30	Washer: M12 x (31mm OD)	1
17	53	Interior: Z: M12 Coarse	1
18	272.1	Door: Post	1
19	119	Engine: Z : Bolt: M6 x 50 (BP)	1
20	26	Washer: M6 L	13
21	40	Door: Z: Nut: M6 Regular	2
22	264.1	Top: Left sealing gasket(650mm)	1
23	264.1	Top: Right sealing gasket(900mm)	1
24	264.1	Interior: Protective gasket (180mm) for Door Stablizers	2
25	114	Brake: Z: Bolt: M6 X 30	3
26	46	EL: Z: Nut: M6	14
27	372	Engine: Turn buckle: "L" bracket for engine	2
28	115	Bolt: M6 x 35 (BP)	4
29	81	Gas Tank: Z: Clip	2
30	70	EL: Z: Screw: 5.0×16 TAPPING	2



Item	Part No.	Description	QTY. per Vehicle
1	270	Door: coreboard (1.2 sqm)	1
2	268	Door: sliding Window Right with one tab	1
3	271	Door: Handle outside with lock, post ,	1
4	270.1	Door: coreboard support for door hinge	1
5	262	Door: Vinyl wrap Black(0.5 sqm per vehicle)	1
6	264.1	Door: Gasket for Outside Door (3.3 meters)	1
7	277	Door: locker base on door	1
8	272	Door: lock inside	1
9	266	Door: lock plastic cover (50 % are wrong side)	1
10	28	Washer: M10 L	1
11	115	Bolt: M6 x 30 (BP)	1
12	26	Washer: M6 L	8
13	120.1	Engine: Z : Bolt: M6 x 65 (HF) (small head 10.7 mm dia)	4
14	46	Nut: M6	4
15	263	Door:Handle: Gray Inside	1
16	107	Z: M5 x 30 (P)	2
17	25	Washer: M6 N	2
18	45	Nut: M5	2
19	70	EL: Z: Screw: 5.0×16 TAPPING	4

#16 Foam



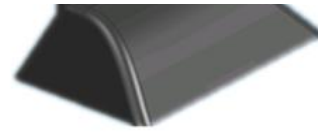


Item	Part No.	Description	QTY. per Vehicle
1	421	Foam 01: nose	1
2	422	Foam 02: left front	1
3	423	Foam 03: left back	1
4	428	Foam 08: tail	1
5	426	Foam 06: right back	1
6	424	Foam 04: right front	1

7	425	Foam 05: door	1
8	427	Foam 07: dash	1
9	439.1	Foam: Spira Logo Assembly for front nose	1
10	559	Lights: Reflectors Yellow Front Sides	2
11	47	Lights: Z: Nut: M6 x20	6
12	108	Lights: Z: M6 Threaded Rod (Galvanized)	2
13	26	Lights: Z: Washer: M6 L	19
14	46	Lights: Z: Nut: M6: Front Red Reflectors	10
15	434	Foam: 14: Plastic fastener 33 mm	6
16	439.5	Foam: Spira Logo Assembly for door	1
17	558	Lights: Reflector: Red Rear Sides	2
18	119.5	Wheel: Z: Bolt: M6 x 60 (BP)	2
19	116	Foam: Z: Bolt: M6 x 35 (BP)	2
20	120.1	Engine: Z : Bolt: M6 x 65 (HF) (small head 10.7 mm dia)	2
21	274	Door: Mirror Left	1
22	275	Door: Mirror Right	1
23	72	EL: Z: Screw 40 mm for controller	1
24	125	Foam: Z: Bolt: M6 x 105 (BP)	2
25	27	Door: Z: Washer: M8 (25 od)	2
26	41.2	Door: Z: Nut: M8 Reverse Thread	2
27	24	Foam: Z: Washer: M4 R	2
28	44	Foam: Z: Nut: M4	2
29	29	Interior: Z: Washer: M10 XL (40 mm OD)	1

#17 Tiller foam





Item	Part No.	Description	QTY. per Vehicle
1	429	Foam 09: steering cover	1
2	430	Foam 10: turning bar left	1
3	431	Foam 11: turning bar right	1
4	432	Foam 12: triangle cover	1

)

)

)

)

)
